

TL8500™ Tension Link Scales

Wireless, Cost-Effective Solution for
Overhead Load Management



***Light-Weight, Compact Design for Cranes, Riggers,
Shipyards, Construction Sites, Surveyors, Inspectors & Utilities***

When working around overhead loads or measuring line tension, accuracy and safety cannot be compromised. The TL8500™ Tension Link scales from Intercomp are the industry standard for controlling and monitoring overhead loads and line tension while helping to maintain a safe work environment.

Machined from aerospace-grade aluminum with shock-mounted electronics in a NEMA 4x/IP65 weatherproof enclosure, Intercomp's Tension Link scales are built to last in capacities ranging from 1,000 lb (500 kg) to 160,000 lb (80,000 kg).

Standard features include an easy-to-read 1.2" (30 mm) LCD Display with backlight and fully integrated wireless communication, while alkaline batteries provide up to 300 hours of power.

TL8500™ TENSION LINK SCALES



IP65 Protection

Accuracy of ± 0.1% of Capacity (Up to 100,000 lb / 50,000 kg)
 Accuracy of ± 0.5% of Capacity (160,000 lb / 80,000 kg)

Available in Capacities up to 160,000 lb (80,000 kg)

Large, Backlit, 5-Digit, 1.2" (30 mm) Character
 LCD Graphic Display

Sized to Accommodate Industry Standard Shackles
 (Sold Separately)

Standard Wireless Radio with No External Antennas

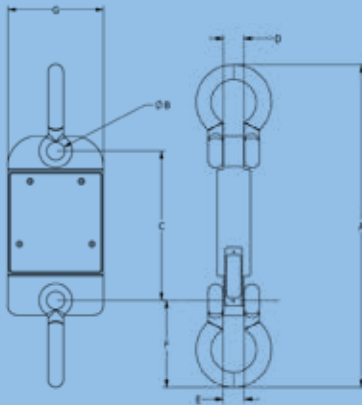
Easily-Accessible Batteries Last Up to 400 hours of Continuous
 Use, Standby Mode Provides up to 2,000 Hours of Battery Life
 (Batteries Included)

Dedicated Hard Keys for On/Off & Mode

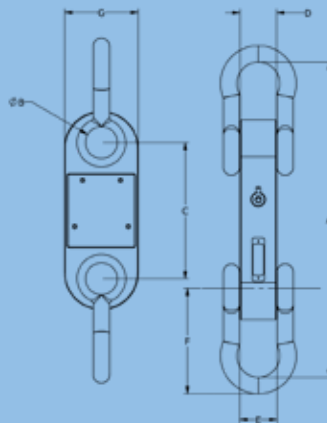
Optional Audible Alarm Available



HH400™ (IWH) RFX® Indicator
 (Optional Accessory)



500 to 10,000 lb (250 to 5,000 kg) Capacities



25,000 lb (12,500 kg) Capacities and Higher

CAPACITY	A*	B	C	D	E	F*	G
1,000 lb (500 kg)	13" (304 mm)	0.81" (21 mm)	7.42" (178 mm)	1" (25 mm)	1.69" (43 mm)	2" (51 mm)	4.75" (121 mm)
2,000 lb (1,000 kg)	13" (304 mm)	0.81" (21 mm)	7.42" (178 mm)	1" (25 mm)	1.69" (43 mm)	2" (51 mm)	4.75" (121 mm)
5,000 lb (2,500 kg)	13" (304 mm)	0.81" (21 mm)	7.42" (178 mm)	1" (25 mm)	1.69" (43 mm)	2" (51 mm)	4.75" (121 mm)
10,000 lb (5,000 kg)	15.22" (386 mm)	1.06" (27 mm)	7.60" (193 mm)	1.40" (36 mm)	2.28" (58 mm)	2.77" (56 mm)	5" (127 mm)
25,000 lb (12,500 kg)	20.9" (530 mm)	1.69" (43 mm)	8.7" (212 mm)	2.13" (54 mm)	3.63" (92 mm)	4.3" (109 mm)	5" (127 mm)
50,000 lb (25,000 kg)	24.7" (627 mm)	2.06" (52 mm)	9.20" (234 mm)	2.44" (62 mm)	2.375" (60 mm)	5.93" (151 mm)	5" (127 mm)
100,000 lb (50,000 kg)	29.49" (749 mm)	2.81" (72 mm)	10.69" (271 mm)	3.88" (99 mm)	7.25" (184 mm)	9.4" (240 mm)	5" (127 mm)
160,000 lb (80,000 kg)	32.6" (828 mm)	2.81" (72 mm)	10.69" (271 mm)	3.88" (99 mm)	7.88" (200 mm)	7.8" (198 mm)	5.4" (138 mm)

*Specs are based on industry-standards, please call if your application has precise measurement requirements.

info@intercompcompany.com
 Worldwide: +1 763-476-2531
 Toll Free: 800-328-3336

© 2020 Intercomp Company



Specifications subject to change without notice.



Printed in the U.S.A.

700709