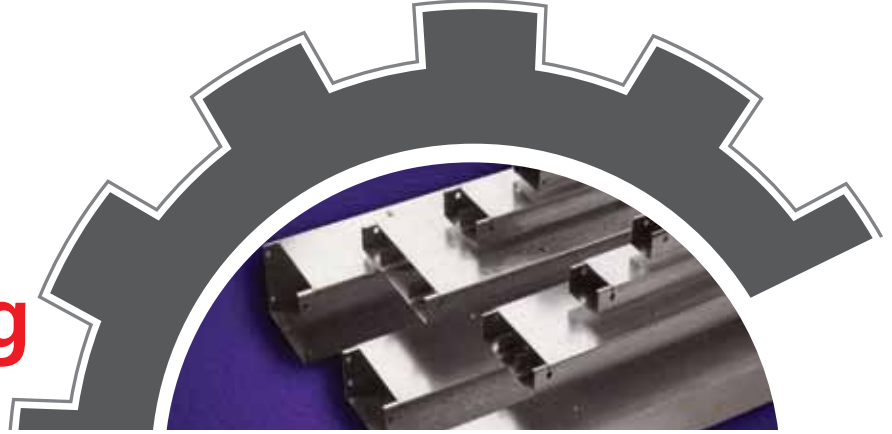


Cable Trunking



المير للصناعات ALMEER INDUSTRIES

www.almeer.com.kw



شركة المير للخدمات الفنية ذ.م.م.

Subsidiary of ALMEER TECHNICAL SERVICES CO. W.L.L.





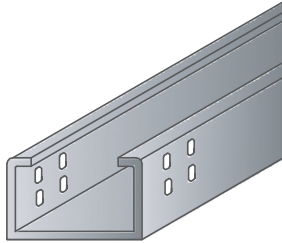
INTRODUCTION

Almeer Industries established in the year 1997, has been in the business offering a wide range of services in manufacture of Panels for various applications, Street Lighting Poles, Junction Boxes, Cable Trays & Accessories, Unistrut Channels, Wire mesh, Expanded metal, Profiled Sheets etc., for Oil & Gas, Petrochemical, Power and other major industries in Kuwait. It is an ISO 9001: 2008, ISO 14001: 2004 & ISO 18001: 2007 Certified Company with standardization worked into all facets of its work.

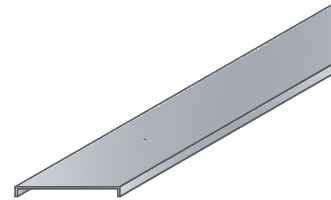
Almeer manufacturing facility is located in Amghara Industrial Area with modern machineries and equipments. The workshop is located on 10,000 Sq.mtrs of area which consists of Overhead Office, Stores and well laid down area for fabrication, machine shop, CNC Operation, Lighting Pole Machinery, Industrial blasting, Power coating plant, Hot-dip galvanization plant and computerized, manual & chemically etched engraving facilities. The workshop is equipped with overhead crane for material handling and other maintenance services.

We stride to provide reliable, highest quality and economic solutions to our customers. As we continue to build and strengthen our partnership, we are committed to achieve 100% customer satisfaction and earn your trust and loyalty.

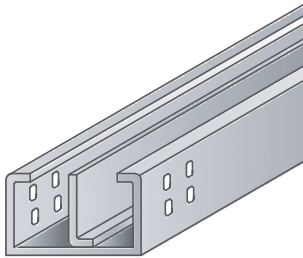
CABLE TRUNKING



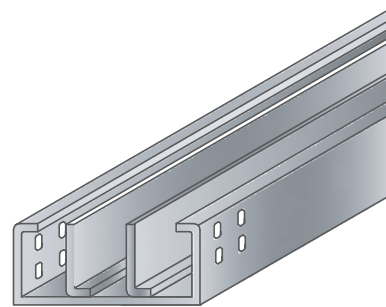
SINGLE COMPARTMENT



COVER



2-COMPARTMENT



3-COMPARTMENT

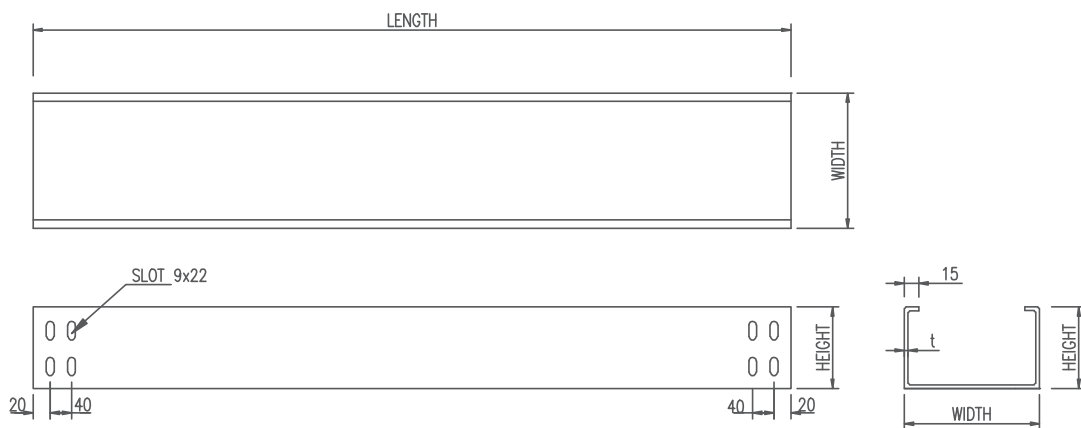
Cable Trunking systems commonly used in indoor purposes , Office building etc.

Complies to BS 4678 Part-1, fabricated from pre-galvanized steel sheet to BS 2989 –or Equivalent.

Supplied with quick release cover for simple Installation

Single compartment and Multi-Compartment Trunkings available

Optional Finishes available in Hot dip galvanized according to BS EN ISO 1461
Powder coated/painted or Stainless Steel



All Dimensions are in MM

CABLE TRUNKING

CABLE TRUNKING-(ORDERING INFORMATION)

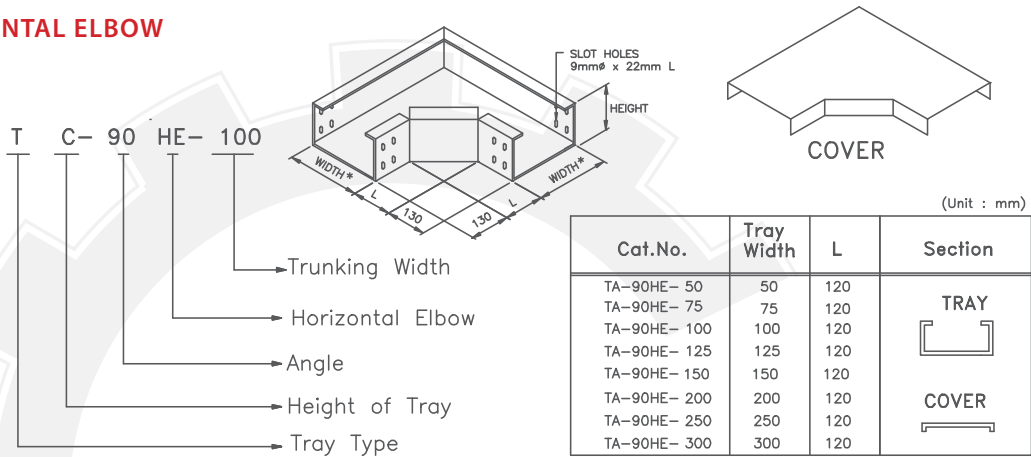
CODE	TYPE OF TRAY	
T	CABLE TRUNKING	
↓	CODE	HEIGHT OF TRUNKING
	A	50 MM
	B	75 MM
	C	100 MM
	D	125 MM
	E	150 MM
	E	200 MM
↓	CODE	THICKNESS
	J	1.0 MM
	K	1.2 MM
	L	1.5 MM
	M	1.6 MM
↓	CODE	WIDTH OF TRUNKING
	* *	50MM – 300MM
↓	CODE	LENGTH OF TRUNKING
	A	2440 MM
↓	B	3000 MM
	CODE	FINISH
↓	1	HOT DIP GALVANIZED
	2	PRE-GALVANIZED

T	C	L	100	A	2
---	---	---	-----	---	---

CABLE TRUNKING

FITTINGS & COVERS

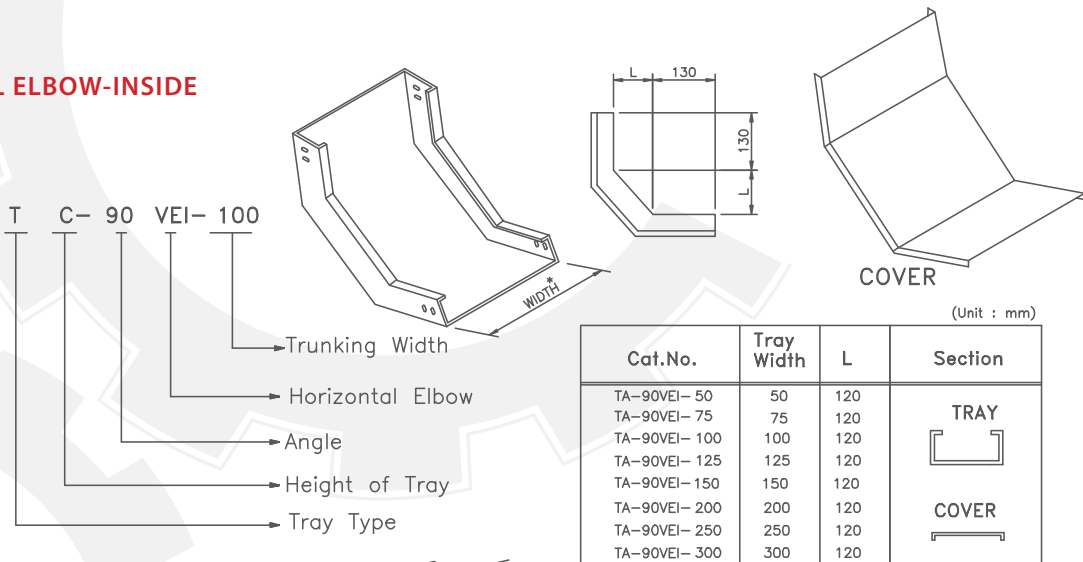
90° HORIZONTAL ELBOW



(Unit : mm)

Cat.No.	Tray Width	L	Section
TA-90HE- 50	50	120	TRAY
TA-90HE- 75	75	120	
TA-90HE- 100	100	120	
TA-90HE- 125	125	120	
TA-90HE- 150	150	120	
TA-90HE- 200	200	120	COVER
TA-90HE- 250	250	120	
TA-90HE- 300	300	120	

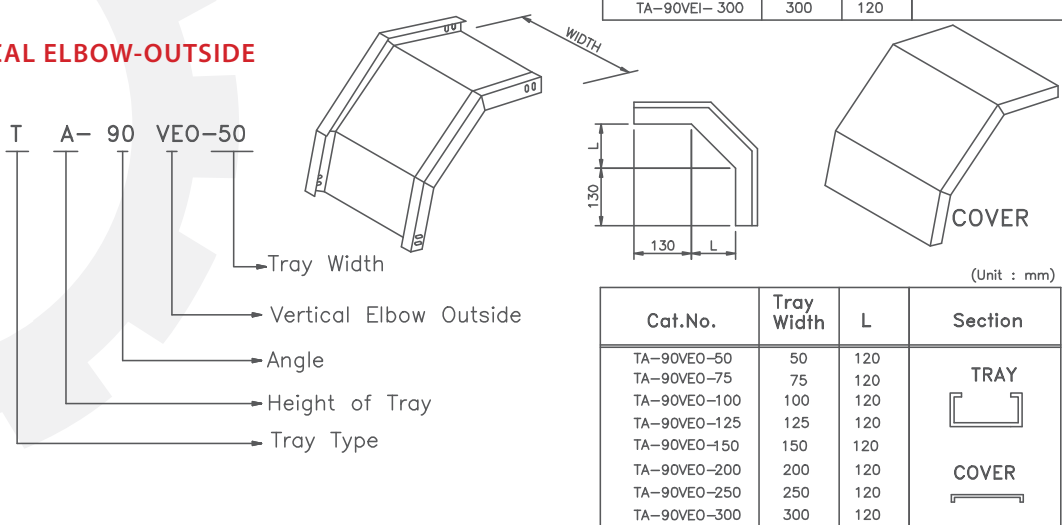
90° VERTICAL ELBOW-INSIDE



(Unit : mm)

Cat.No.	Tray Width	L	Section
TA-90VEI- 50	50	120	TRAY
TA-90VEI- 75	75	120	
TA-90VEI- 100	100	120	
TA-90VEI- 125	125	120	
TA-90VEI- 150	150	120	
TA-90VEI- 200	200	120	COVER
TA-90VEI- 250	250	120	
TA-90VEI- 300	300	120	

90° VERTICAL ELBOW-OUTSIDE



(Unit : mm)

Cat.No.	Tray Width	L	Section
TA-90VEO-50	50	120	TRAY
TA-90VEO-75	75	120	
TA-90VEO-100	100	120	
TA-90VEO-125	125	120	
TA-90VEO-150	150	120	
TA-90VEO-200	200	120	COVER
TA-90VEO-250	250	120	
TA-90VEO-300	300	120	

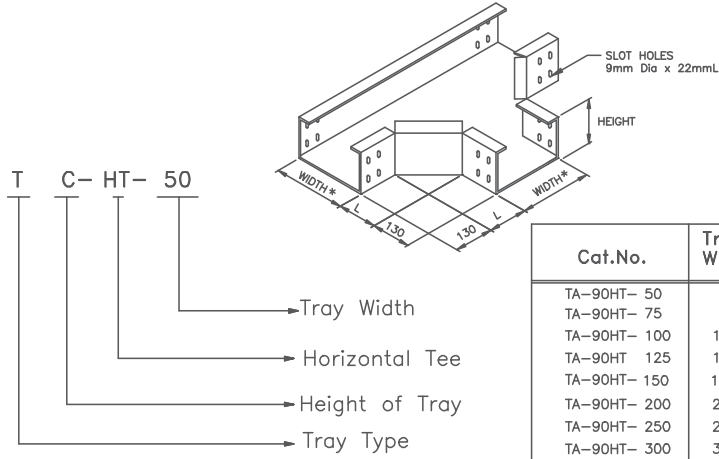
REFER TO SELECTION TABLE FOR HEIGHT & THICKNESS

All Dimensions are in MM

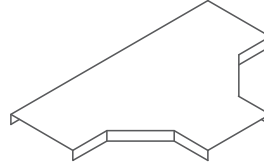
CABLE TRUNKING

FITTINGS & COVERS

HORIZONTAL TEE



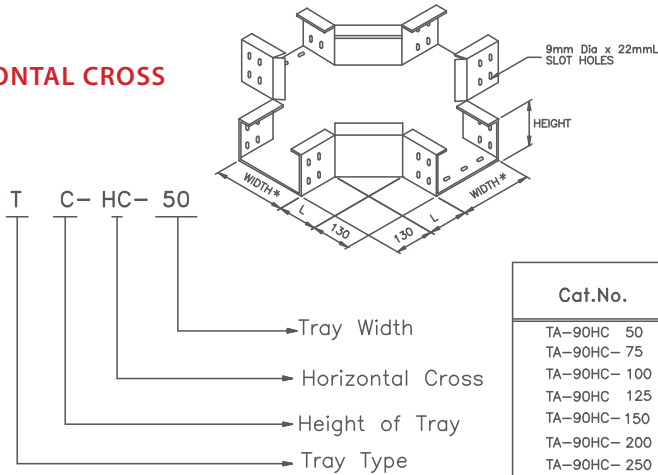
COVER



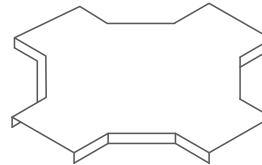
(Unit : mm)

Cat.No.	Tray Width	L	Section
TA-90HT- 50	50	120	TRAY
TA-90HT- 75	75	120	
TA-90HT- 100	100	120	
TA-90HT- 125	125	120	
TA-90HT- 150	150	120	
TA-90HT- 200	200	120	COVER
TA-90HT- 250	250	120	
TA-90HT- 300	300	120	

HORIZONTAL CROSS



COVER

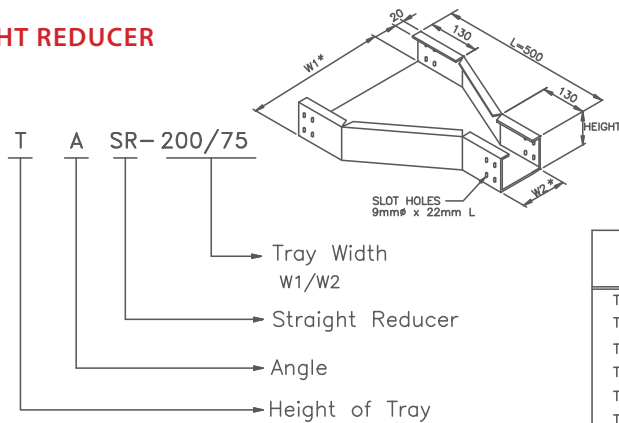


(Unit : mm)

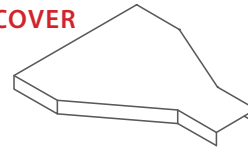
Cat.No.	Tray Width	L	Section
TA-90HC 50	50	120	TRAY
TA-90HC- 75	75	120	
TA-90HC- 100	100	120	
TA-90HC 125	125	120	
TA-90HC- 150	150	120	
TA-90HC- 200	200	120	COVER
TA-90HC- 250	250	120	
TA-90HC- 300	300	120	

REFER TO SELECTION TABLE FOR HEIGHT & THICKNESS

STRAIGHT REDUCER



COVER



(Unit : mm)

Cat.No.	Tray Width-W1	Tray Width-W2	Section
TC-SR-100/50	100	50	TRAY
TC-SR-100/75	100	75	
TC-SR-150/50	150	50	
TC-SR-150/100	150	100	
TC-SR-200/50	200	50	COVER
TC-SR-200/100	200	100	
TC-SR-300/100	300	100	

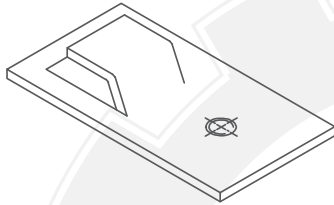
REFER TO SELECTION TABLE FOR HEIGHT & THICKNESS

All Dimensions are in MM

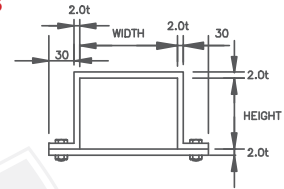
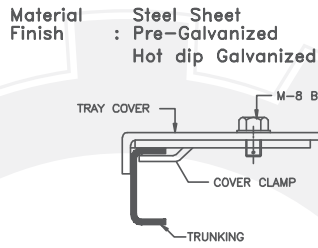
CABLE TRUNKING

ACCESSORIES

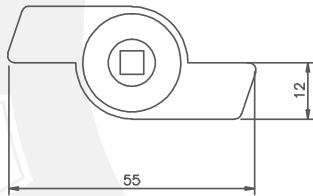
COVER CLAMPS TYPE-A



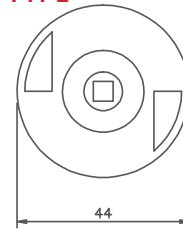
COVER CLAMPS TYPE-B



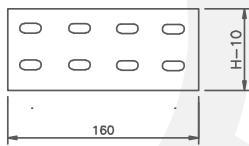
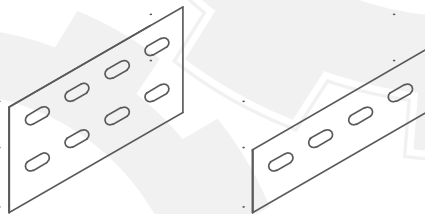
QUICK RELEASE TYPE TYPE-C



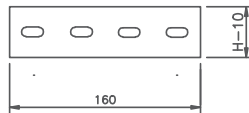
QUICK RELEASE TYPE TYPE-D



JOINT CONNECTOR

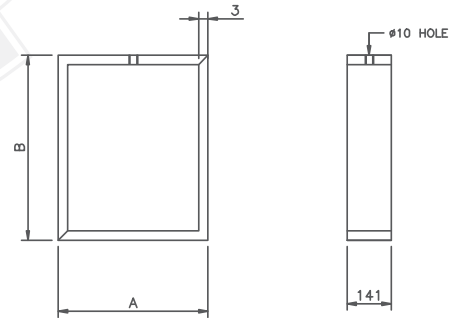


For 100 H and above



For 50 & 75 H

HANGER



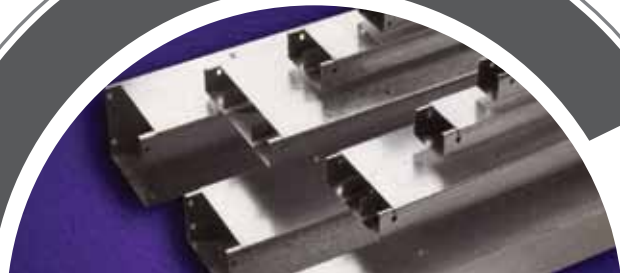
Material : Steel Sheet/flat bar
Finish : Pre-Galvanized/
Hot dip Galvanized
Powder coated/painted

FASTENERS



JOINT CONNECTOR SLOTS CORRESPONDING TO SIDE RAIL CONNECTION HOLES
H - HEIGHT OF SIDE RAIL

All Dimensions are in MM



المير للصناعات ALMEER INDUSTRIES

HEAD OFFICE: P.O. Box 9240 Ahmadi, 61003 Kuwait

Tel. : +965 2398 6594 (10 Lines)

Hotline: 18 40 800

Fax : +965 2398 0682 / 6574

E-mail : atsco@almeer.com.kw



www.almeer.com.kw

FACTORY: AMGHARA INDUSTRIAL AREA

Tel. : +965 2457 1395 / 4391

Fax : +965 2457 1396

E-mail : factory@almeer.com.kw